

Get Ahead with CCC Comp-Est™ Estimating Solution

Comp-Est™ Version 10.10 Estimating Solution is the choice for more than 4,000 repair facilities. Isn't it time you enjoyed the benefits of an inexpensive and comprehensive electronic estimating software application?

In today's fast-paced marketplace, pen and paper estimates can slow you down. Whether you are a single or multi-shop repair facility, you can help speed your productivity and efficiency with CCC Comp-Est estimating solution. CCC's solution offers:

CHIEF VEHICLE SPECIFICATIONS

Provides a frame measurement database for more than a thousand vehicles to help you increase your productivity. This database provides vehicle dimensions for upper-body openings and lower-body frame specifications and is usable with many frame-pulling systems. In addition, select any diagram you wish to view and enjoy the ability to zoom, pan and print all from your own PC.

WINDOWS VISTA® AND ACCOUNTING INTERFACE

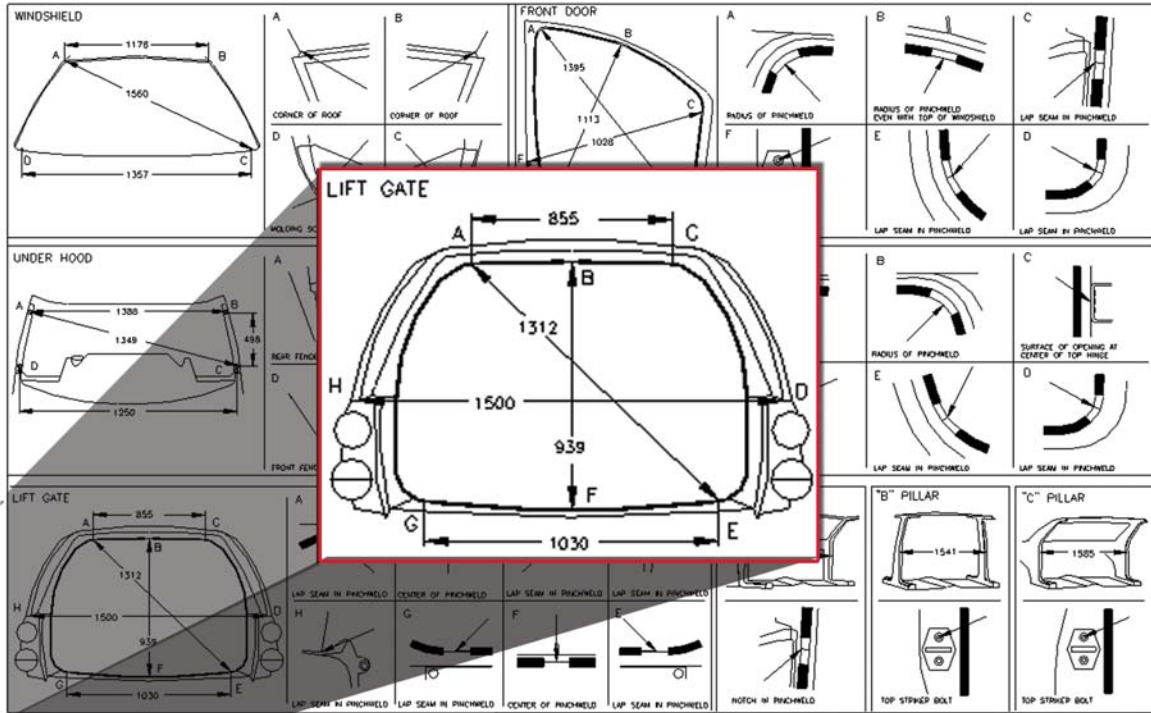
CCC Comp-Est is compatible with the Windows Vista® operating system and Intuit® QuickBooks Pro® accounting software. CCC Comp-Est estimates can help you save time and increase productivity by using the accounting interface. Now you can eliminate the time-consuming task of manually re-entering data from Comp-Est estimates into QuickBooks Pro accounting software with a few simple steps.

EMS EXPORT FOR SHOP MANAGEMENT SYSTEMS

Comp-Est Estimating Solution's CIECA (Collision Industry Electronic Commerce Association) compliant Estimate Management Standard (EMS) export feature allows you to transfer estimate files from Comp-Est into your shop management systems by simply clicking on "Export EMS Files". Estimates can be imported into other CIECA compliant EMS 2.0 software applications.

DIGITAL IMAGING

Comp-Est Estimating Solution's built-in Digital Imaging improves workflow and efficiency by eliminating the time-consuming process of toggling back and forth between separate estimating and imaging applications. Easily import your images with a click of a button. Incorporate and store photos of cars and critical documents such as scanned police reports and tow bills that become linked to the estimate. You'll be able to access these photos and other scanned documents associated with the estimate quickly and easily.



Chief Body Openings

AFTERMARKET PARTS DATABASE

Comp-Est™ Estimating Solution incorporates an aftermarket parts database, saving you considerable manual search time. This database includes parts from across the United States.

TEMPLATE LETTERS, CORRESPONDENCE AND MORE

Communicating with your customers is convenient and effective when using the Forms and Correspondence feature in the Comp-Est Estimating Solution. Comp-Est provides templates of letters, forms, and reports that are automatically populated with your customers' information helping you to easily print follow-up letters, invoices, and key reports.

For more information on how CCC Comp-Est Estimating Solution may benefit your business, call 800-254-3972 today.



www.cccis.com